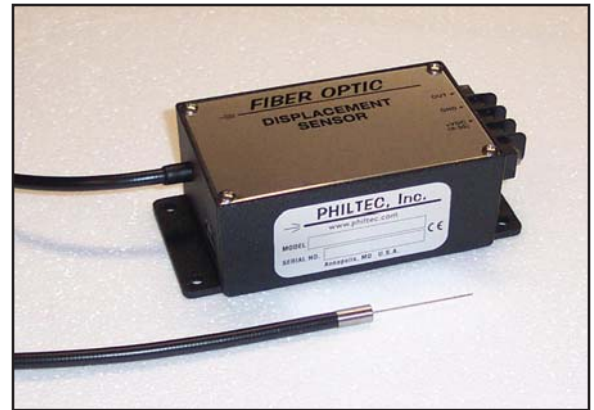


Fiberoptic Sensor - Reflectance Dependent*

Model D6



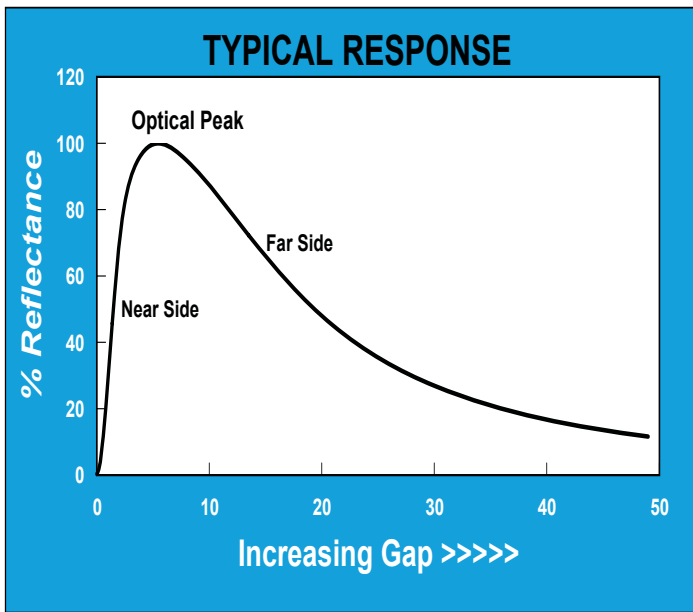
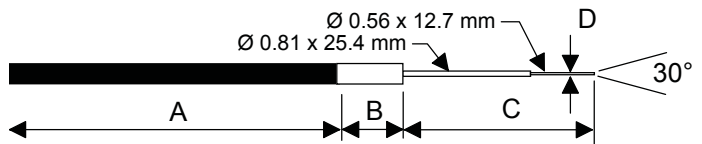
Fiberoptic Cable & Sensor Tip - Actual Size

For The Measurement of Distance, Displacement and Vibration

Features

- Reflectance Dependent Output with Dual Functions Far Side/Near Side
- Ø 155 Micron Target Spot Size (0.006 inch)
- 1 mm Total Operating Range (0.040 inch)
- 5 mv/µm Far Side Sensitivity (127 mv/mil)
- 50 mv/µm Near Side Sensitivity (1270 mv/mil)

Tip & Cable Dimensions



FEATURE	mm	inch
Tip Outer Diameter, Ø D	0.56	0.022
Fiberoptic Diameter	0.15	0.006
Tip Length, C	38.1	1.5
Collar Length, B	12.7	0.5
Collar Diameter, Ø B	6.35	0.25
Cable Length, A	914	36
Cable Diameter, Ø A	4.27	0.168
Cable Min. Bend Radius	19	0.75

*These are reflective type transducers based upon detecting the intensity of reflected light. With D Model sensors, the output signal is proportional to: a) the gap distance from the sensor tip-to-target; and, b) the reflectivity of the target surface. D models are commonly used in applications where the target reflectivity stays constant, i.e., the target has a reciprocating or vibratory motion parallel to the axis of the sensor.



Two Instrument Outputs To Choose From

This sensor can be provided as an analog or as a digital instrument. For available options and how to order go to www.philtec.com

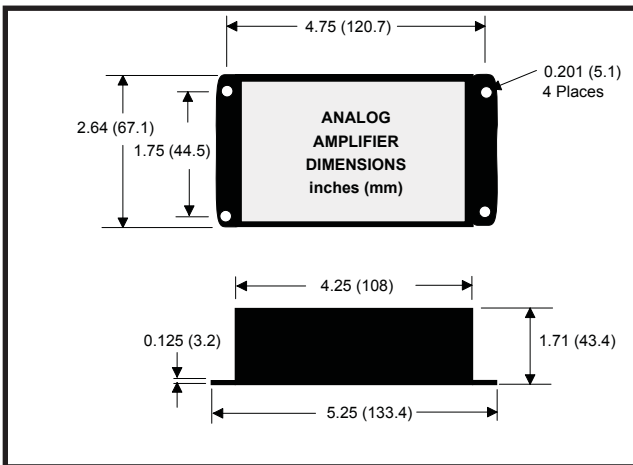


Analog sensors are fast responding units ideal for relative motion measurements in dynamic applications:

- DC-20 KHz is standard
- DC-200 KHz or higher is optional
- DC-100 Hz provides best resolution

Standard analog units include:

- Electronics with 0 to +5 VDC output
- 3 foot long fiberoptic cable



ANALOG OUTPUT

Calibration charts are provided with each sensor tip giving the near and far side voltage output responses to distance. There are three ways to derive accurate distance measurements:

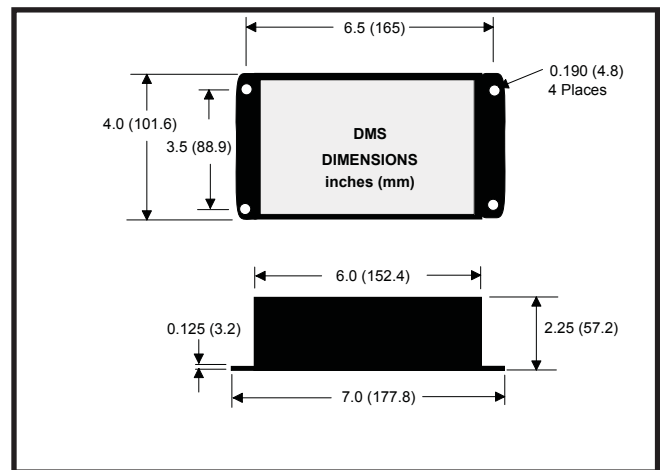
- within the bounds of the linear range, multiply sensitivity by the change in voltage output
- create a lookup table using the XY calibration data points
- use a polynomial curve fit to accurately map the sensor's output function

The effect of changing target reflectance is to shift the voltage output higher or lower. A gain control is provided for calibration of the sensor output to various target surfaces. In-situ calibration is performed simply, by adjusting the sensor's tip-to-target gap until the peak output is attained, and then by using the gain control to set the peak voltage reading to full scale. This allows the sensor to be used to perform precision linear motion measurements on most materials.

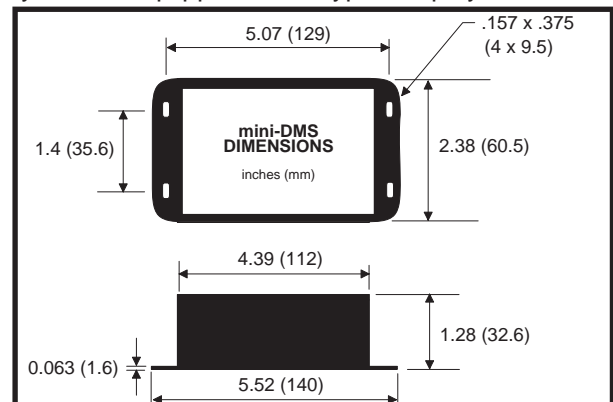
Displacement Measurement Systems (DMS) are the best choice for absolute distance measurements, multiplexing and process control applications, with data rates up to 5,000 readings/second. Two sizes are available:

Standard DMS units include:

- Electronics with RS-232 communication
- Keypad/LCD for local operation



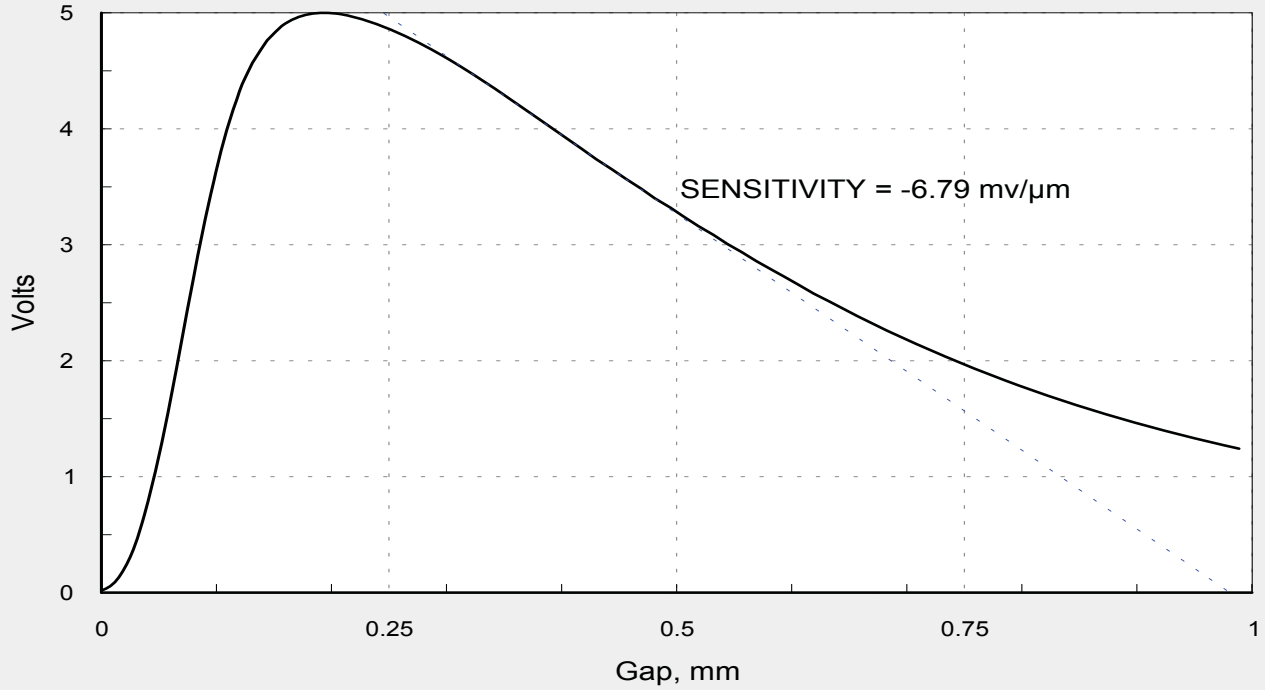
Mini-DMS units are full-featured for PC operation only, they are not equipped with keypad/display.



DIGITAL OUTPUT

DMS units provide distance output via RS232. Gap calibration data is stored on board DMS units. They provide accurate distance measurements over the sensor's entire operating range using a 24 bit internal lookup table. They have storage capacity for many additional calibrations.

PHILTEC Model D6
Typical Response - Far Side



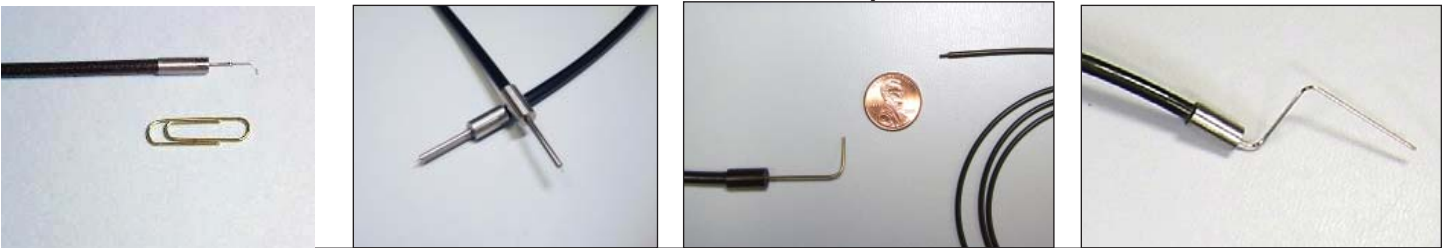
Conversions: 1 micron = 39.37 microinch 1 mm = 39.37 mils 1 mil = 0.001 inch = 25.4 microns = 0.0254 mm

Standard Specifications - D6 Far Side

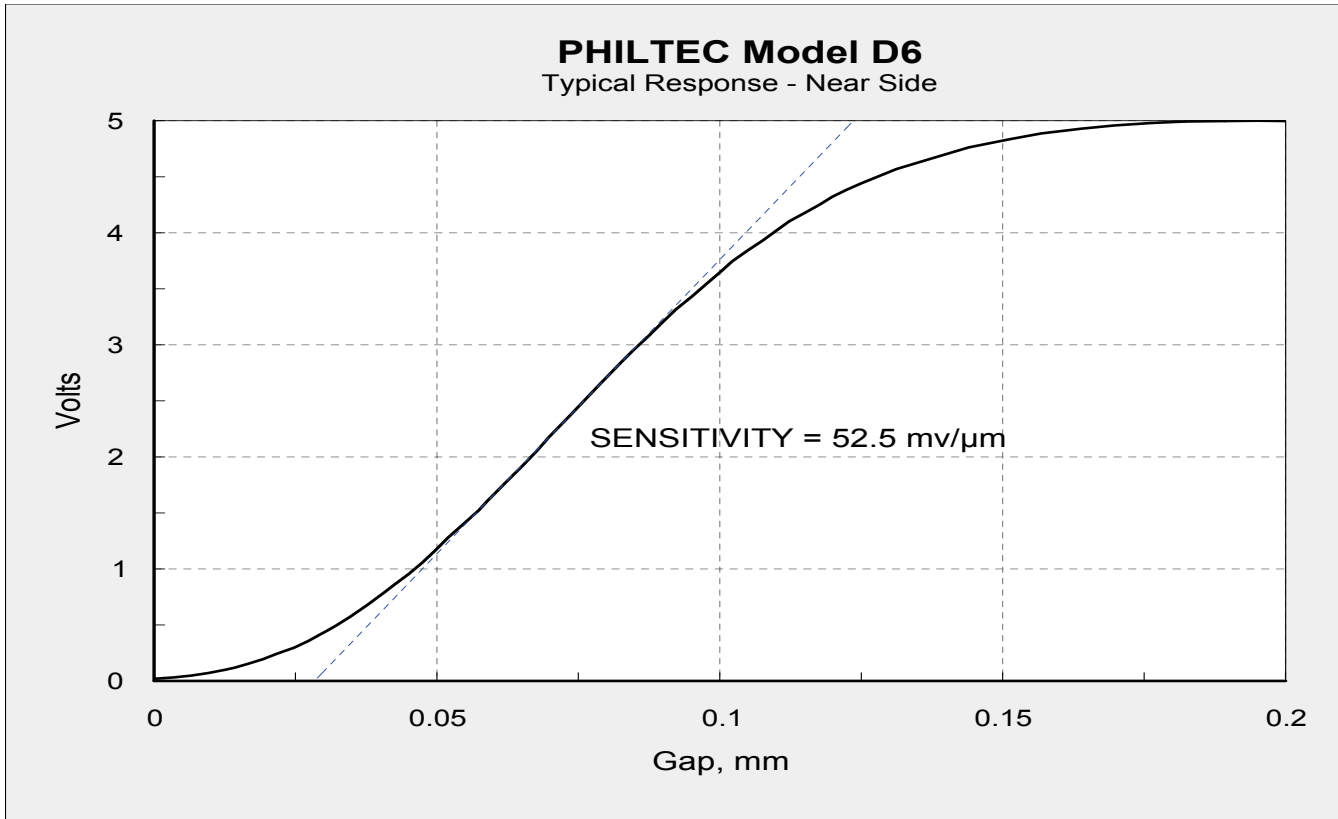
Electronics		Fiberoptics		Outputs					
	Analog	DMS	Light Beam Spread	30°	Analog Voltage			DMS RS232	
Light Source	LED, 850 nm		Cable Sheathing	PVC over Steel Monocoil	Total Range	40 mils	1 mm	Total Range	1 mm
Input Voltage	+12 to +24 VDC	+12 VDC	Tip Material	300 Series SS	Linear Range	9 mils	230 μm	Distance	23 bit resolution
Input Current	125 ma max	500 ma max	Tip Epoxy Outgas	0.3% @ 200°C 2.4% @ 300°C	Nominal Standoff	17 mils	430 μm	Reflectance	8 bit resolution
Bandwidth	DC-20 KHz 3 db down	5 KHz max	Tip Operating Pressure	35 bar	Sensitivity	200 mv/mil	5 mv/μm	Amplifier Temperature	12 bit resolution
Iso-thermal Drift	0.5%	0.05%	Tip Operating Temperature	-55 to 175°C continuous; to 350°C intermittent 1-2 hours	<u>Resolution*</u> DC - 200KHz DC - 20 KHz DC - 100 Hz	150 μin 50 μin 5 μin	4 μm 1.3 μm 0.1 μm	<u>Resolution*</u> Pk-Pk Units at Mid Range using 50% Signal Power	ADC AVG = 2 pk-pk = 400 nm ADC AVG = 16 pk-pk = 250 nm ADC AVG = 256 pk-pk = 80 nm ADC AVG = 4096 pk-pk = 15 nm

*These specifications represent best case performance where: the target is flat, smooth and highly reflective, the sensor is perpendicular to the target, the sensor is gapped to its range of highest sensitivity, fiberoptic cable lengths are standard and the cables are not connectorized.

Custom Hardware To Customer Specifications



PHILTEC, INC., ANNAPOLIS, MD USA 410-757-4404
800-453-6242 e-mail sensors@philterec.com

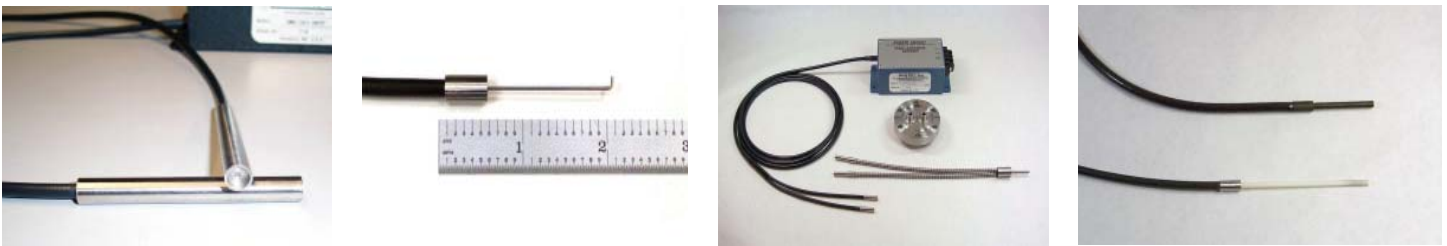


Conversions: 1 micron = 39.37 microinch 1 mm = 39.37 mils 1 mil = 0.001 inch = 25.4 microns = 0.0254 mm

Standard Specifications - D6 Near Side									
Electronics			Fiberoptics		Outputs				
	Analog	DMS	Light Beam spread	30°	Analog Voltage			DMS RS232	
Light Source	LED, 850 nm		Cable Sheathing	PVC over Steel Monocoil	Total Range	9 mils	230 μm	Total Range	230 μm
Input Voltage	+12 to +24 VDC	+12 VDC	Tip Material	300 Series SS	Linear Range	1500 μin.	38 μm	Distance	23 bit resolution
Input Current	125 ma max	500 ma max	Tip Epoxy Outgas	0.3% @ 200°C 2.4% @ 300°C	Nominal Standoff	2800 μin.	70 μm	Reflectance	8 bit resolution
Bandwidth	DC-20 KHz 3 db down	5 KHz max	Tip Operating Pressure	35 bar	Sensitivity	830 mv/mil	50 mv/μm	Amplifier Temperature	12 bit resolution
Iso-thermal Drift	0.5%	0.05%	Tip Operating Temperature	-55 to 175°C continuous; to 350°C intermittent 1-2 hours	Resolution* DC - 200KHz DC - 20 KHz DC - 100 Hz	35 μin 17 μin 2 μin	0.9 μm 0.5 μm 0.05 μm	Resolution* Pk-Pk Units at Mid Range using 50% Signal Power	ADC AVG = 2 pk-pk = 50 nm ADC AVG = 16 pk-pk = 40 nm ADC AVG = 256 pk-pk = 8 nm ADC AVG = 4096 pk-pk = 3 nm

*These specifications represent best case performance where: the target is flat, smooth and highly reflective, the sensor is perpendicular to the target, the sensor is gapped to its range of highest sensitivity, fiberoptic cable lengths are standard and the cables are not connectorized.

Many Options are Available Including Replaceable Tips, Vacuum Passthrus and Non-Metallic Tips



PHILTEC, INC., ANNAPOLIS, MD USA 410-757-4404
800-453-6242 e-mail sensors@philtec.com